



# 15K-2P-N

**UL Model:  
"Limitless 15K-LV"**



Solar Input Power 19,500W	
Max Allowed PV Power	19,500W
Max PV Power Delivered to Battery & AC Outputs	15,000W
Max DC Voltage (Voc)	500V @ 26A
MPPT Voltage Range	125-425V
Starting Voltage	125V
Number of MPPT	3
Max Solar Strings Per MPPT	2
Max DC Current per MPPT (Self Limiting)	26A
Max AC Coupled Input (Micro/String Inverters)	19,200W

AC Output Power 15kW On-Grid & Off-Grid	
Connections	120/240/208V Split Phase
Continuous AC Power with PV	15,000W 62.5A-L (240V)
Continuous AC Power from Batteries	12,000W 50A-L (240V)
Total Harmonic Distortion (THD)	≤ 3%
Surge AC Power 10sec	24,000VA L-L (240V)
Surge AC Power 100ms	30,000VA L-L (240V)
Fault Current 5sec	94A w/ PV   75A w/o PV
Fault Current 100ms	120A
Parallel Stacking	Yes - Up to 12
Frequency	60/50Hz
Continuous AC Power with Grid or Generator	48,000W 200A L-L (240V) 24,000W 200A L-N (120V)
CEC Efficiency	96.5% (Peak 97.5%)
Idle Consumption Typical—No Load	90W
Sell Back Power Modes	Limited to Household/Fully Grid-Tied
Design (DC to AC)	Transformerless DC
Response Time (Grid-Tied to Off-Grid)	5ms
Power Factor	+/- 0.9 - 1.0

Battery (optional) Output Power 12,000W	
Type	Lead-Acid or Li-Ion
Nominal DC Input	48V
Capacity	50 — 9900Ah
Voltage Range	43.0 — 63.0V
Continuous Battery Charging Output	275A
Charging Curve	3-Stage w/ Equalization
Grid to Batt Charging Efficiency	96.0%
External Temperature Sensor	Included
Current Shunt for Accurate % SOC	Integrated
External Gen Start Based on Voltage or %SOC	Integrated
Communication to Lithium Battery	CanBus & RS485

General	
Dimensions (H x W x D)	31.8" x 18.3" x 10.9"
Weight (package)	135 lbs
Enclosure	IP65 / NEMA 3R
Ambient Temperature	-40~60°C, >45°C Derating
Installation Style	Wall-Mounted
Wi-Fi & LAN Communication	Included
Standard Warranty (verified by HALT Testing)	10 Years

Protections & Certifications	
Electronics Certified Safety by SGS Labs to NEC & UL Specs - NEC 690.4B & NEC 705.4/6	Yes
Grid Sell Back — UL1741-2010/2018, IEEE1547a -2003/2014, FCC 15 Class B, UL1741SB, CA Rule 21, HECO Rule 14H	Yes
PV DC Disconnect Switch — NEC 240.15	Integrated
Ground Fault Detection — NEC 690.5	Integrated
PV Rapid Shutdown Control — NEC 690.12	Integrated
PV Arc Fault Detection — NEC 690.11	Integrated
PV Input Lightning Protection	Integrated
PV String Input Reverse Polarity Protection	Integrated
AC Output Breakers - 200A	Integrated
200A x 2 Battery Breaker / Disconnect	Integrated
Surge Protection	DC Type II / AC Type II



# ONE INVERTER TO RULE THEM ALL™



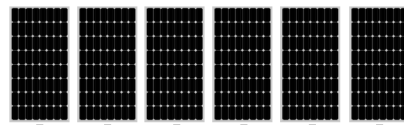
**Cloud Monitoring & Programming**

**Modes:**

Grid Sell, Off-Grid, Meter Zero, Time of Use, & Peak Shaving

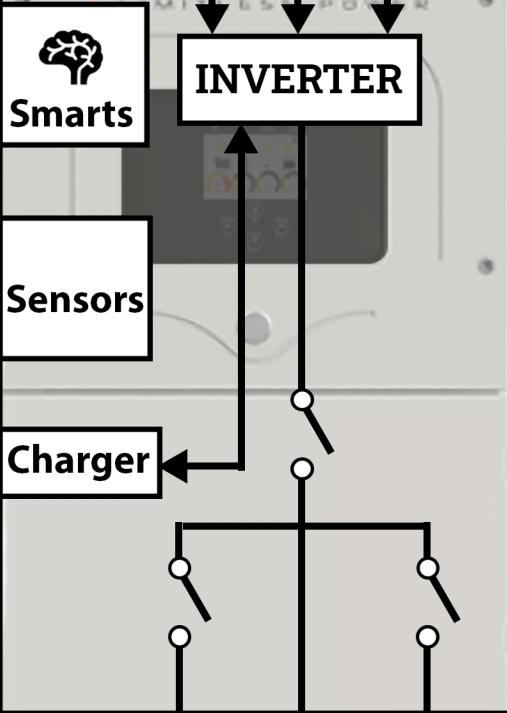
RSD/Emergency Stop, External CT Sensors, Parallel Comms/Battery Comms, Auto Gen Start

**Battery Agnostic**  
48V Nominal & at least 50Ah



**19.5kW DC Coupling**  
125V-425V @ 26A per MPPT

MPPT 1 MPPT 2 MPPT 3



**Smarts**

**INVERTER**

**Sensors**

**Charger**

**5ms UPS**  
No-Glitch Transfer

**Smart Load**  
Prioritize Necessities & Run Luxuries With Less

**Gen Breaker**  
Up to 19.2kW Generator Input

**Grid or Generator**  
200A Passthrough

**Continuous Power**  
15kW With PV  
12kW With Batt.

**AC Coupling**  
19.2kW Input