

# GROUND FIXED TILT



**GROUND FIXED TILT (GFT)** is an engineered system of standard, lightweight ground mount components that are in stock and ready to ship from North America's largest ground mount distribution network. UNIRAC's unmatched commercial project support makes construction easy, from permitting through installation, including region-specific engineering. GFT's refined solution, including a new shared rail design, delivers enhanced system and labor optimization. Plus, enjoy peace of mind with **SOLARMOUNT** Mounting Technology and UNIRAC's industry-leading 25-year warranty.



#UNIRAC  
**25**  
YEAR  
FULL-SYSTEM  
WARRANTY



**IN STOCK & READY TO SHIP**  
THE BEST SOLUTION IS AVAILABLE



**COMMERCIAL PARTNERSHIP**  
EXPERIENCE THAT MAKES A DIFFERENCE



**INSTALLATION EXPERIENCE**  
REFINED WITH YOU IN MIND

# MAKE GROUND MOUNT SIMPLE

FOR QUESTIONS OR CUSTOMER SERVICE VISIT [UNIRAC.COM](http://UNIRAC.COM) OR CALL (505) 248-2702

# GROUND FIXED TILT



## IN STOCK AND READY TO SHIP

### THE BEST SOLUTION IS AVAILABLE

Single post configurations with 20° and 30° tilt options. Standardized components and kitted hardware bring ease of stockability and repeatability, from 2KW to multi-MW. North America's largest Ground Mount Distributor network ensures the fastest lead times and empowers you to finish your projects on schedule.

## COMMERCIAL PARTNERSHIP

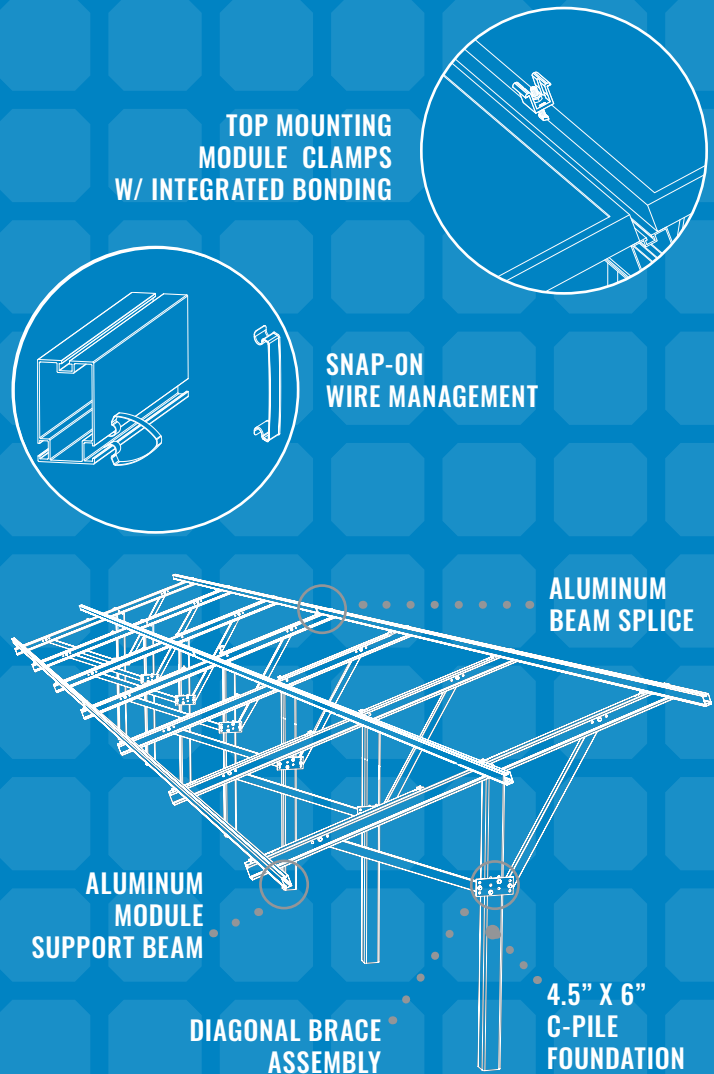
### EXPERIENCE THAT MAKES A DIFFERENCE

Permit ready, pre-engineered regional designs save you valuable time. Standard construction drawings with general structural notes, table and component cross sections, foundation options and structural details speed permit submittal and construction. Industry leading commercial customer service supports you across your project, from design and logistics thru installation.

## INSTALLATION EXPERIENCE

### REFINED WITH YOU IN MIND

Kitted hardware, integrated bonding, and pre-assembled parts streamline construction, from pre-mobilization to installation. Straightforward connections ensure maximum strength and require no specialized labor or training. Lightweight components allow for one or two-person assembly. System flexibility enables you to mount 60 & 72 cell modules and choose from multiple foundation and rail options to optimize your projects.



UNMATCHED

CERTIFIED

ENGINEERING

BANKABLE

DESIGN

PERMIT

### ON-TIME DELIVERY

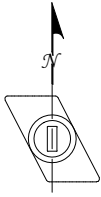
No waiting. Our goal is simple: Consistently deliver solutions and services correctly, efficiently and dependably to exceed your expectations. Our world-class operations provide a 99% on-time delivery to help you meet your commitment dates.

### CERTIFIED QUALITY PROVIDER

UNIRAC is the only PV mounting vendor with ISO certifications for 9001:2008, 14001:2004 and OHSAS 18001:2007, which means we deliver the highest standards for fit, form, and function. These certifications demonstrate our excellence and our commitment to first class business

### BANKABLE WARRANTY

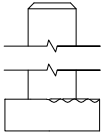
UNIRAC has the financial strength to back our products and reduce your risk. Have peace of mind knowing you are receiving products of exceptional quality. GFT is covered by a 25-year manufacturing warranty on all parts.



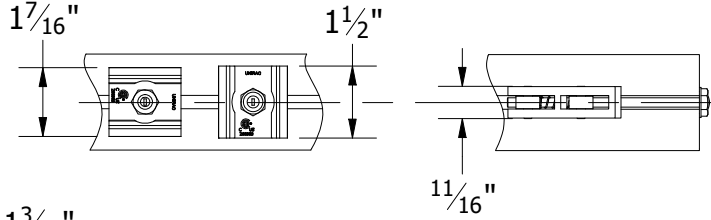
TOP VIEW

INSTALLED T-BOLT MARK MUST ALWAYS FACE NORTH - SOUTH

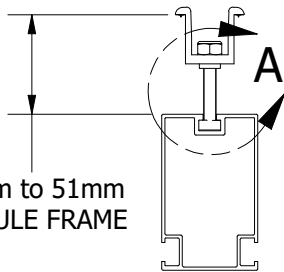
PART # TABLE	
P/N	DESCRIPTION
302040M	PRO ENDCLAMP
302030M	MILL PRO MIDCLAMP
302030D	DARK PRO MIDCLAMP



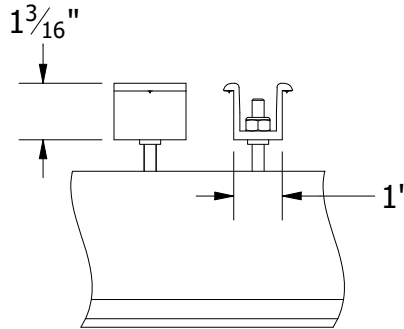
DETAIL A



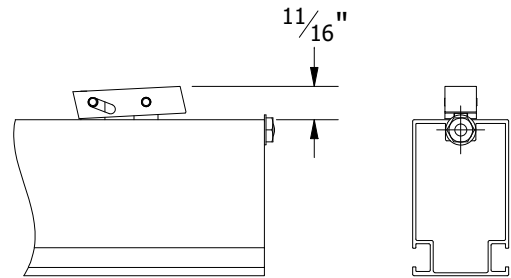
11/16"



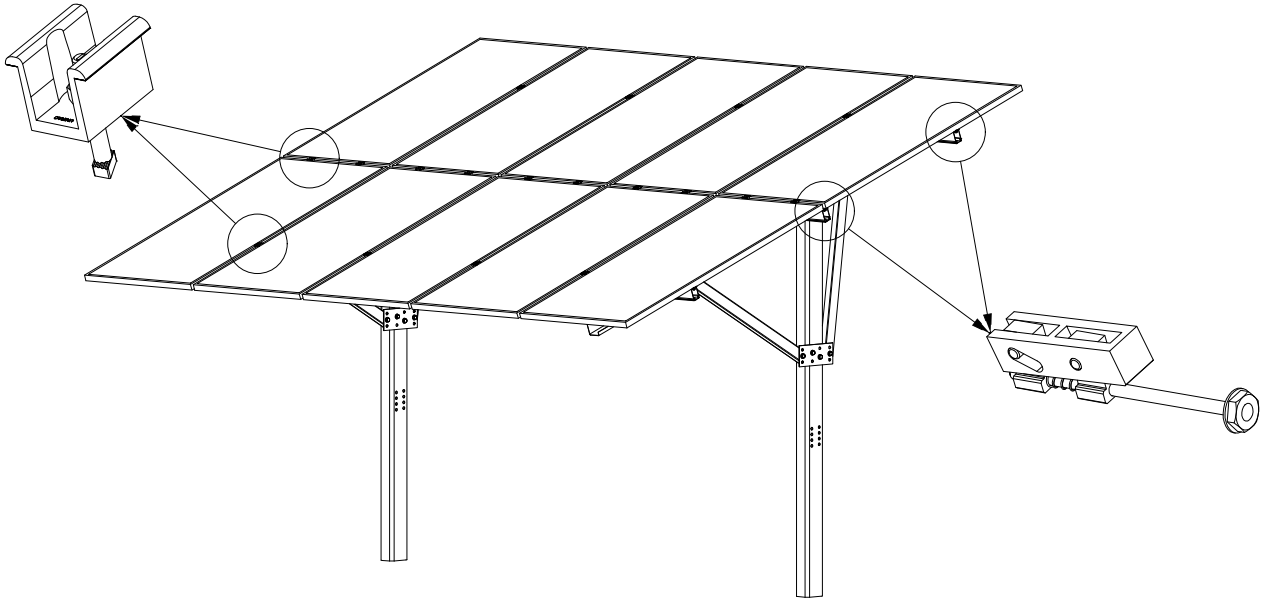
30mm to 51mm  
MODULE FRAME



PRO SERIES MIDCLAMP



PRO SERIES ENDCLAMP



1411 BROADWAY BLVD. NE  
ALBUQUERQUE, NM 87102 USA  
PHONE: 505.242.6411  
WWW.UNIRAC.COM

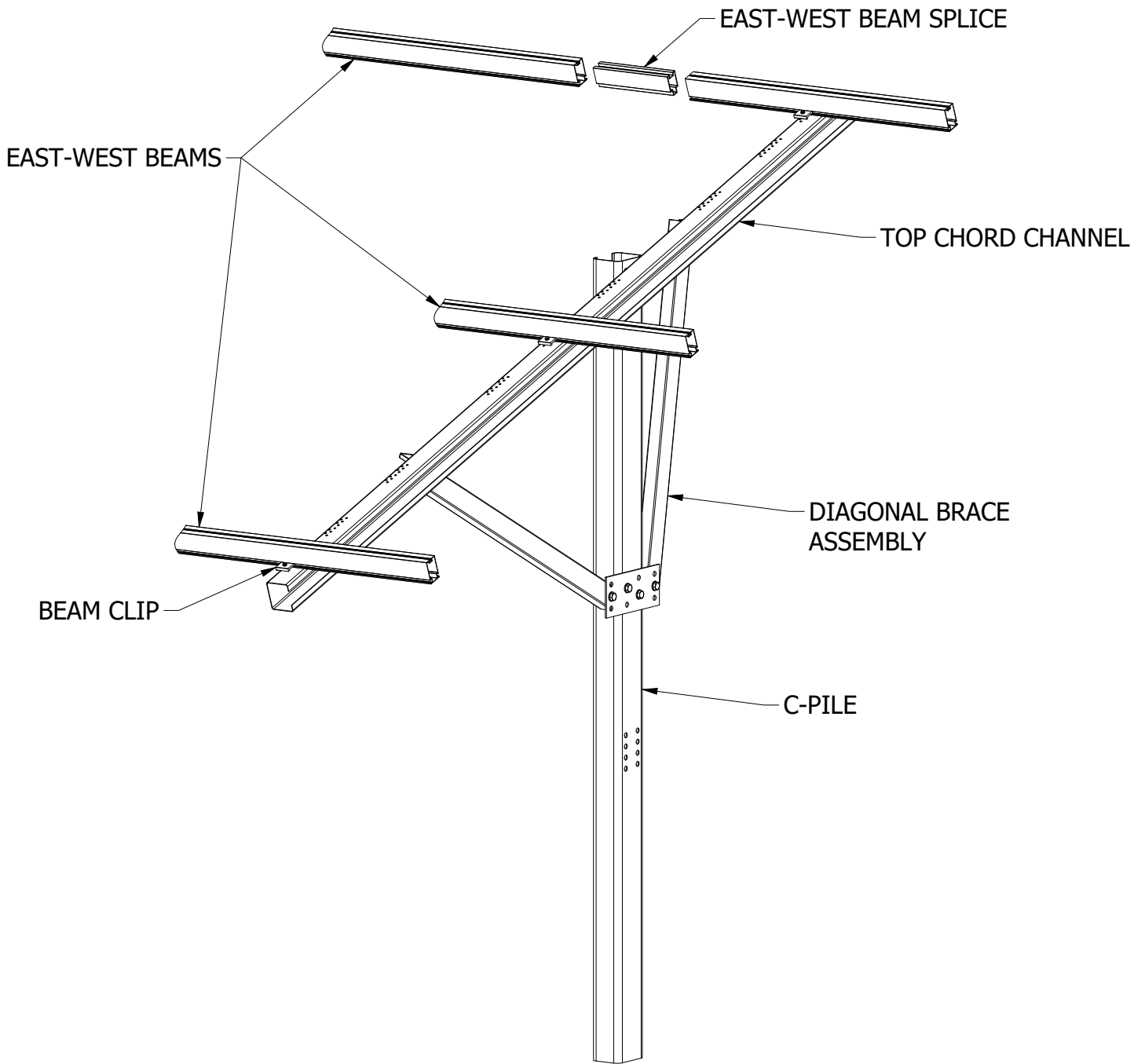
PRODUCT LINE:	GFT
DRAWING TYPE:	ASSEMBLY DETAIL
DESCRIPTION:	PRO SERIES BONDING CLAMPS
REVISION DATE:	10/23/2019

DRAWING NOT TO SCALE  
ALL DIMENSIONS ARE  
NOMINAL

PRODUCT PROTECTED BY  
ONE OR MORE US PATENTS  
LEGAL NOTICE

GFT-A01

SHEET



1411 BROADWAY BLVD. NE  
 ALBUQUERQUE, NM 87102 USA  
 PHONE: 505.242.6411  
 WWW.UNIRAC.COM

PRODUCT LINE:	GFT
DRAWING TYPE:	ASSEMBLY
DESCRIPTION:	COMPONENTS
REVISION DATE:	5/21/2020

DRAWING NOT TO SCALE  
 ALL DIMENSIONS ARE  
 NOMINAL

PRODUCT PROTECTED BY  
 ONE OR MORE US PATENTS

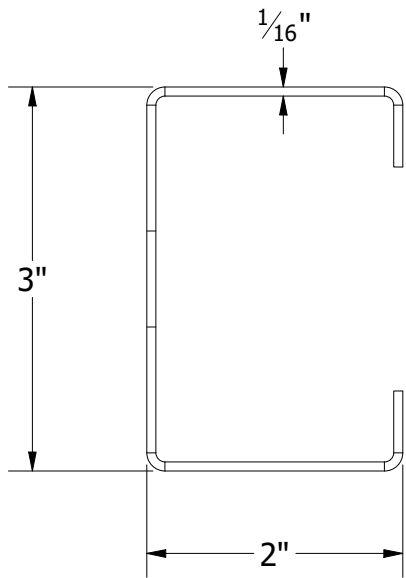
LEGAL NOTICE

GFT-A02

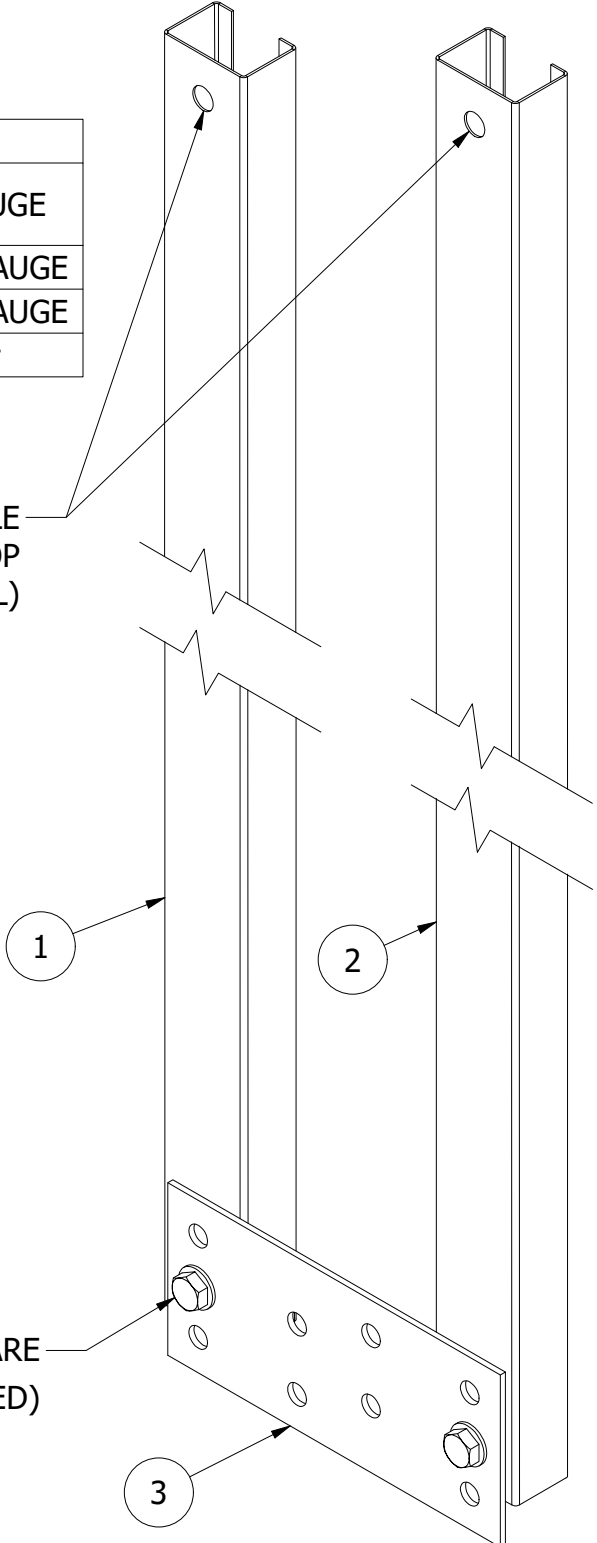
SHEET

ASSEMBLY # TABLE	
P/N	DESCRIPTION
404031	20° DIAGONAL BRACE ASSEMBLY

PARTS LIST				
ITEM	QTY	DESCRIPTION	LENGTH	GAUGE
1	1	FRONT DIAGONAL BRACE	4'-5 3/4"	14 GAUGE
2	1	REAR DIAGONAL BRACE	4'-2"	14 GAUGE
3	1	DIAGONAL BRACE PLATE	-	-



2X - BOLT HOLE  
(ATTACHES TO TOP  
CHORD CHANNEL)



**UNIRAC**<sup>®</sup>

1411 BROADWAY BLVD. NE  
ALBUQUERQUE, NM 87102 USA  
PHONE: 505.242.6411  
WWW.UNIRAC.COM

PRODUCT LINE:	GFT
DRAWING TYPE:	ASSEMBLY DETAIL
DESCRIPTION:	20° DIAGONAL BRACE ASSEMBLY
REVISION DATE:	10/23/2019

DRAWING NOT TO SCALE  
ALL DIMENSIONS ARE  
NOMINAL

PRODUCT PROTECTED BY  
ONE OR MORE US PATENTS

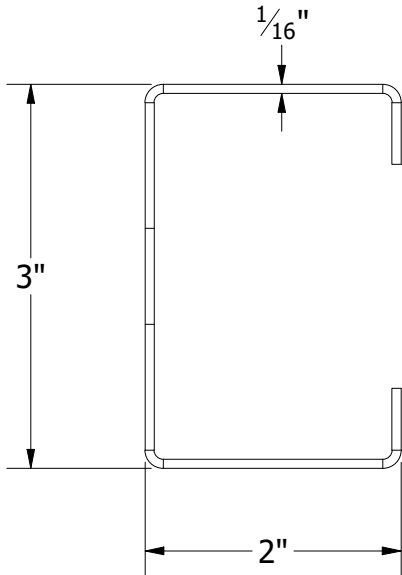
LEGAL NOTICE

**GFT-A03**

SHEET

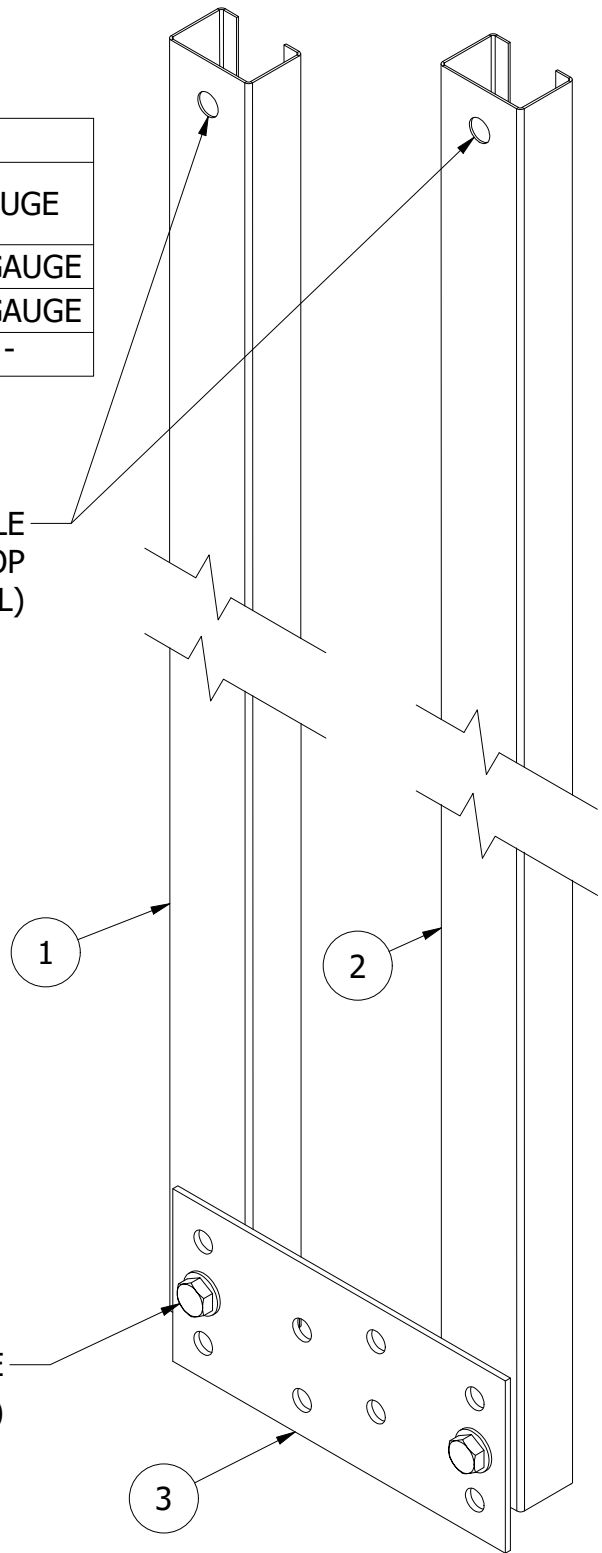
ASSEMBLY # TABLE	
P/N	DESCRIPTION
404032	30° DIAGONAL BRACE ASSEMBLY

PARTS LIST				
ITEM	QTY	DESCRIPTION	LENGTH	GAUGE
1	1	FRONT DIAGONAL BRACE	4'-10 1/8"	14 GAUGE
2	1	REAR DIAGONAL BRACE	6'-1 3/8"	14 GAUGE
3	1	DIAGONAL BRACE PLATE	-	-



2X - BOLT HOLE  
(ATTACHES TO TOP  
CHORD CHANNEL)

Ø 5/8" HARDWARE  
(PRE-ASSEMBLED)



1411 BROADWAY BLVD. NE  
 ALBUQUERQUE, NM 87102 USA  
 PHONE: 505.242.6411  
 WWW.UNIRAC.COM

PRODUCT LINE:	GFT
DRAWING TYPE:	ASSEMBLY DETAIL
DESCRIPTION:	30° DIAGONAL BRACE ASSEMBLY
REVISION DATE:	10/23/2019

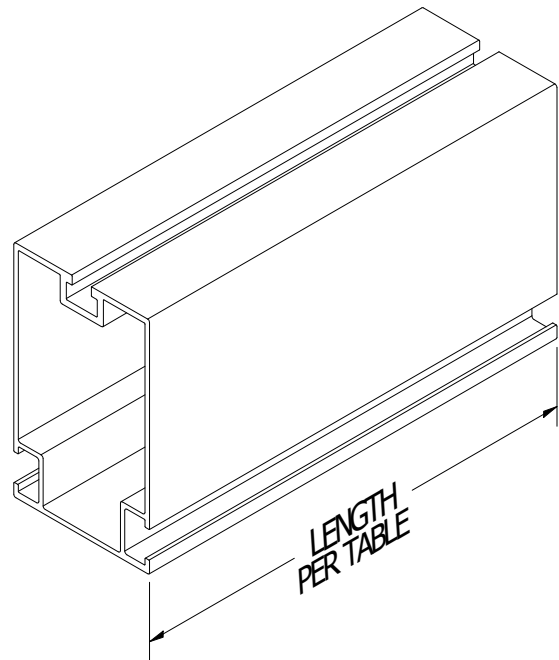
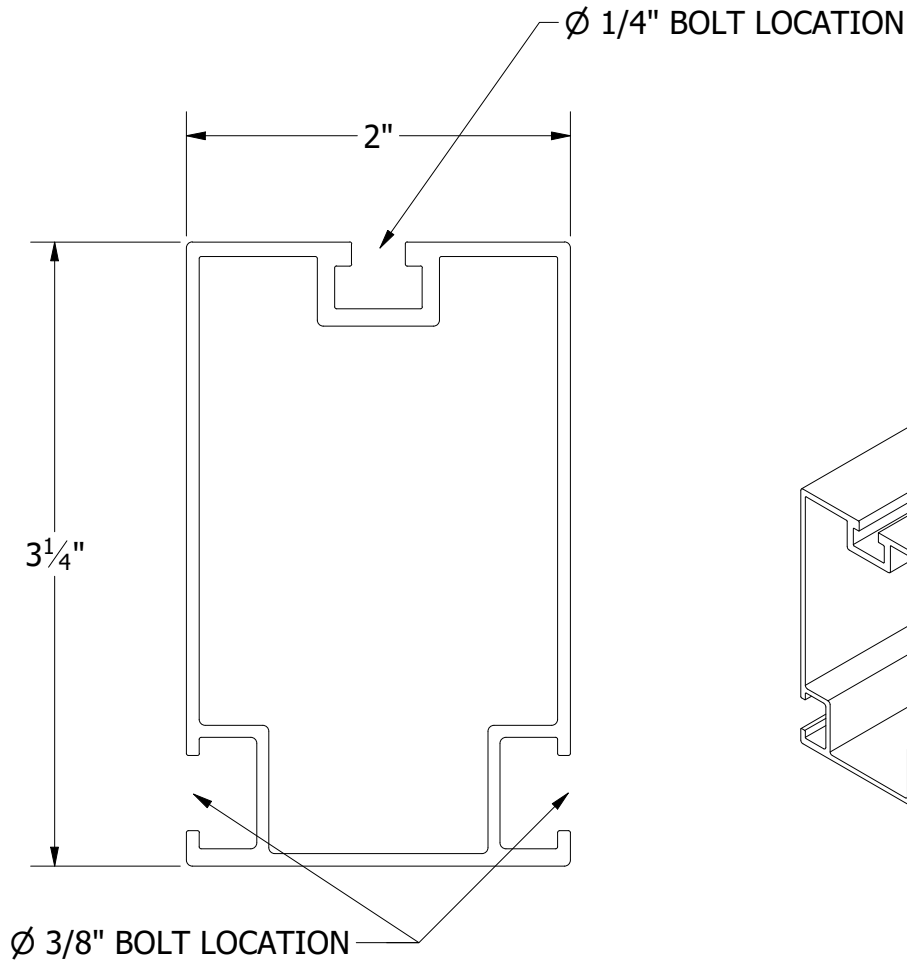
DRAWING NOT TO SCALE  
 ALL DIMENSIONS ARE  
 NOMINAL

PRODUCT PROTECTED BY  
 ONE OR MORE US PATENTS  
 LEGAL NOTICE

GFT-A04

SHEET

PART # TABLE		
P/N	DESCRIPTION	LENGTH
411166M	MILL EAST-WEST BEAM 166 IN	13'-10"
411246M	MILL EAST-WEST BEAM 246 IN	20'-6"



1411 BROADWAY BLVD. NE  
ALBUQUERQUE, NM 87102 USA  
PHONE: 505.242.6411  
WWW.UNIRAC.COM

PRODUCT LINE:	GFT
DRAWING TYPE:	PART DETAIL
DESCRIPTION:	EAST-WEST BEAM
REVISION DATE:	10/23/2019

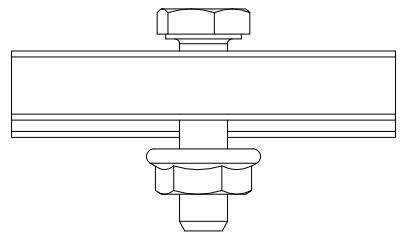
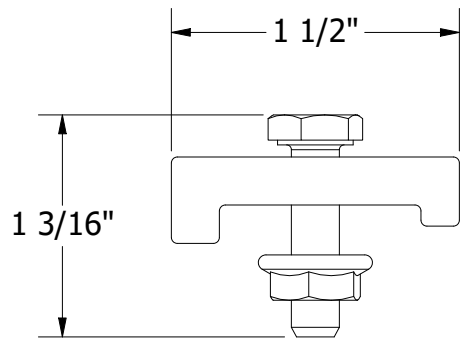
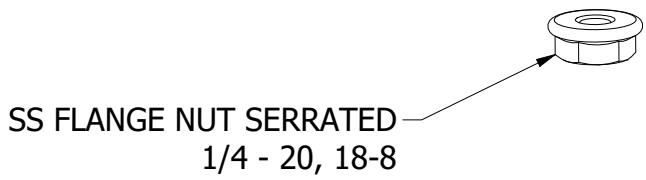
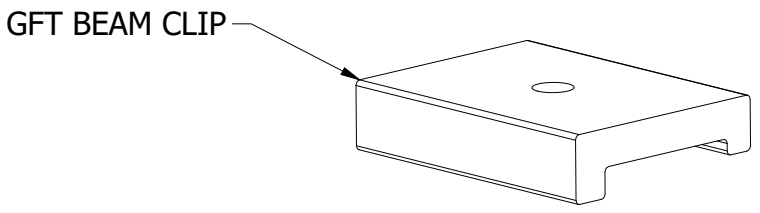
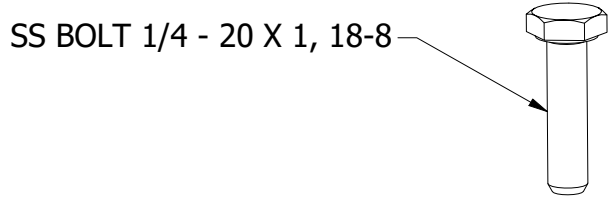
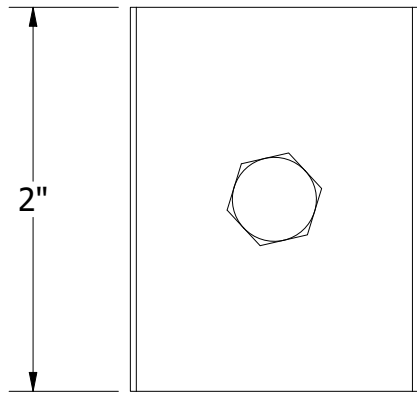
DRAWING NOT TO SCALE  
ALL DIMENSIONS ARE  
NOMINAL

PRODUCT PROTECTED BY  
ONE OR MORE US PATENTS  
LEGAL NOTICE

GFT-P01

SHEET

PART TABLE	
P/N	DESCRIPTION
404020	GFT RAIL SUPPLEMENTAL HDWR 4-RAIL



1411 BROADWAY BLVD. NE  
ALBUQUERQUE, NM 87102 USA  
PHONE: 505.242.6411  
WWW.UNIRAC.COM

PRODUCT LINE:	GFT
DRAWING TYPE:	ASSEMBLY DETAIL
DESCRIPTION:	GFT HARDWARE KIT
REVISION DATE:	5/21/2020

DRAWING NOT TO SCALE  
ALL DIMENSIONS ARE  
NOMINAL

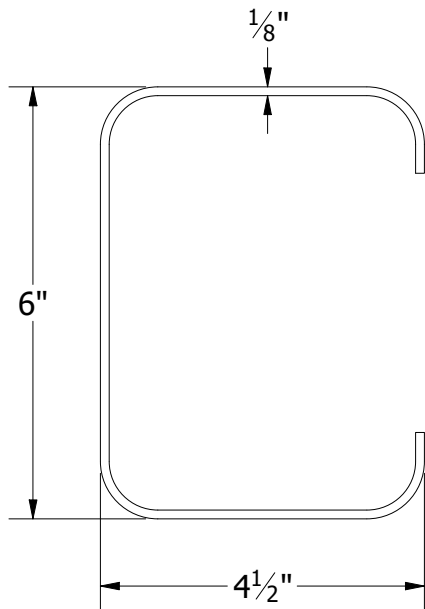
PRODUCT PROTECTED BY  
ONE OR MORE US PATENTS

LEGAL NOTICE

GFT-A05  
SHEET

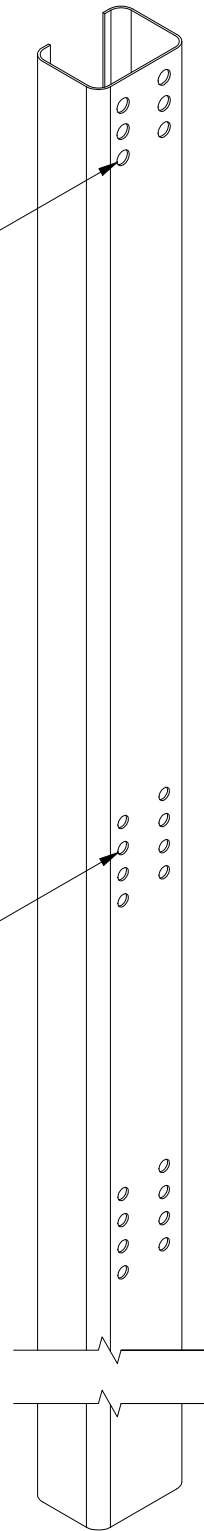


PART # TABLE			
P/N	DESCRIPTION	LENGTH	GAUGE
404001	12.5 FT C-PILE	12'-6"	11 GAUGE
404002	15 FT C-PILE	15'	11 GAUGE



TOP CHORD ATTACHMENT POINT  
(6 BOLT HOLE PATTERN)

DIAGONAL BRACE PLATE  
ATTACHMENT POINT  
(2X - 8 BOLT HOLE PATTERN)



NOTE: SEE CONSTRUCTION  
DRAWINGS FOR IMBEDMENT DEPTH  
AND FOUNDATION OPTIONS.



1411 BROADWAY BLVD. NE  
ALBUQUERQUE, NM 87102 USA  
PHONE: 505.242.6411  
WWW.UNIRAC.COM

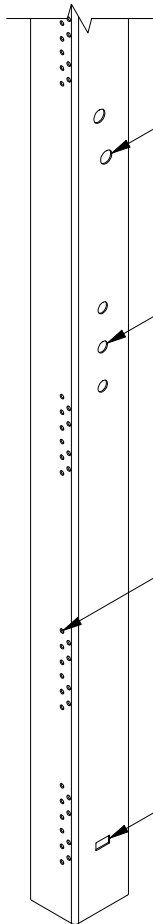
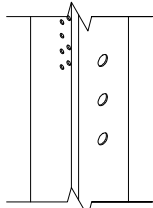
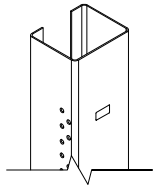
PRODUCT LINE:	GFT
DRAWING TYPE:	PART DETAIL
DESCRIPTION:	C-PILE
REVISION DATE:	10/23/2019

DRAWING NOT TO SCALE  
ALL DIMENSIONS ARE  
NOMINAL

PRODUCT PROTECTED BY  
ONE OR MORE US PATENTS  
LEGAL NOTICE

GFT-P02  
SHEET

PART # TABLE			
P/N	DESCRIPTION	LENGTH	GAUGE
404036	TOP CHORD CHANNEL	11'-6 5/8"	14 GAUGE

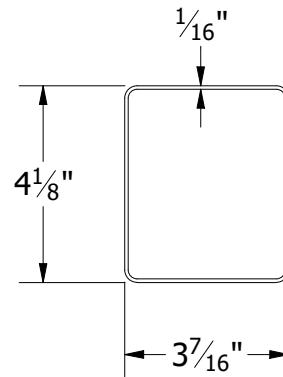


C-PILE ATTACHMENT POINT  
(2 BOLT HOLE PATTERN)

DIAGONAL BRACE ATTACHMENT POINT  
(2X - 3 BOLT HOLE PATTERN)

EAST - WEST BEAM ATTACHMENT  
HOLE PACKS

MANUFACTURING SLOT  
(NOT USED)



1411 BROADWAY BLVD. NE  
ALBUQUERQUE, NM 87102 USA  
PHONE: 505.242.6411  
WWW.UNIRAC.COM

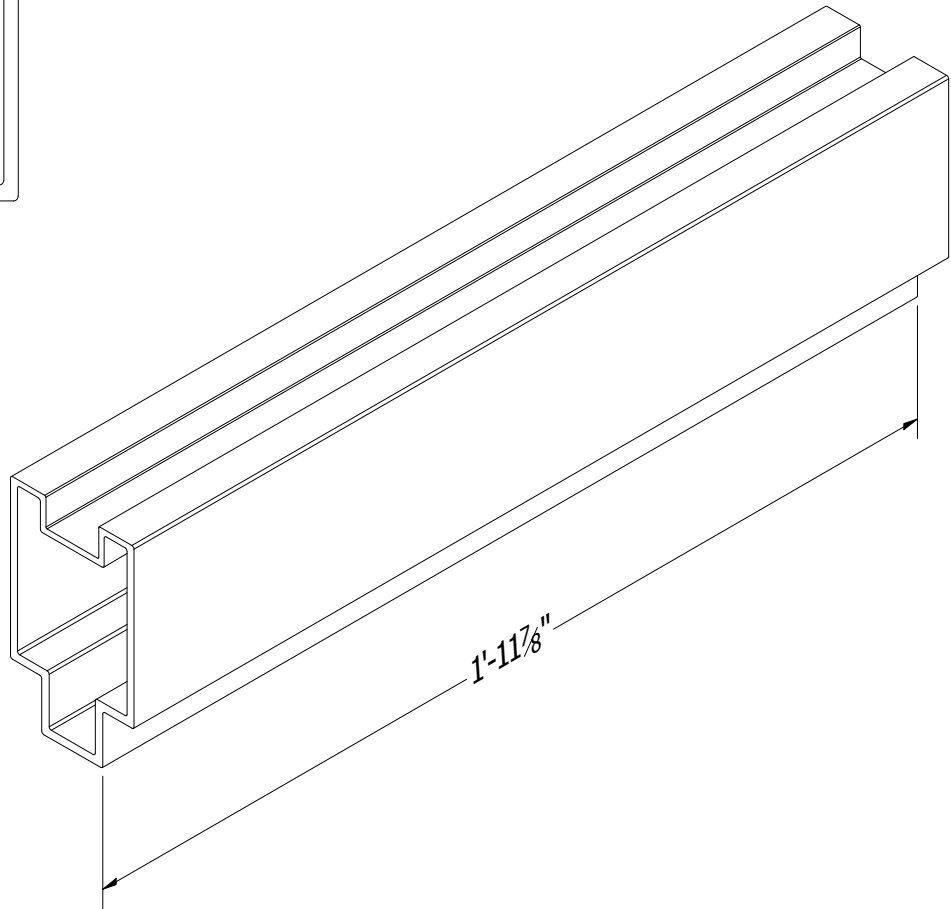
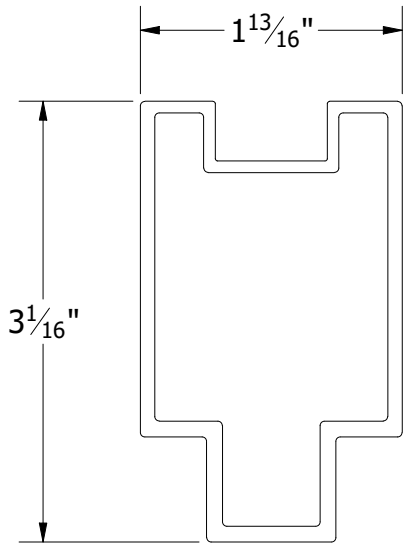
PRODUCT LINE:	GFT
DRAWING TYPE:	PART DETAIL
DESCRIPTION:	TOP CHORD CHANNEL
REVISION DATE:	10/23/2019

DRAWING NOT TO SCALE  
ALL DIMENSIONS ARE  
NOMINAL

PRODUCT PROTECTED BY  
ONE OR MORE US PATENTS  
LEGAL NOTICE

GFT-P03  
SHEET

PART # TABLE	
P/N	DESCRIPTION
404014	EAST-WEST BEAM SPLICE



1411 BROADWAY BLVD. NE  
 ALBUQUERQUE, NM 87102 USA  
 PHONE: 505.242.6411  
 WWW.UNIRAC.COM

PRODUCT LINE:	GFT
DRAWING TYPE:	PART DETAIL
DESCRIPTION:	EAST-WEST BEAM SPLICE
REVISION DATE:	10/23/2019

DRAWING NOT TO SCALE  
 ALL DIMENSIONS ARE  
 NOMINAL

PRODUCT PROTECTED BY  
 ONE OR MORE US PATENTS

LEGAL NOTICE

GFT-P04

SHEET